

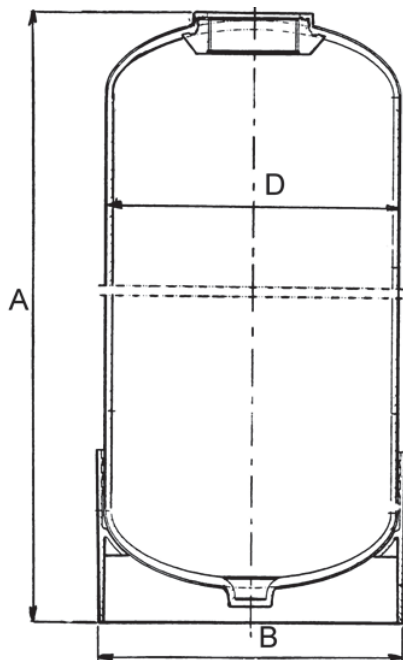


**EZ Water Technology**  
A company of Environmental Zone Technology, Inc

# Pressure vessels and accessories



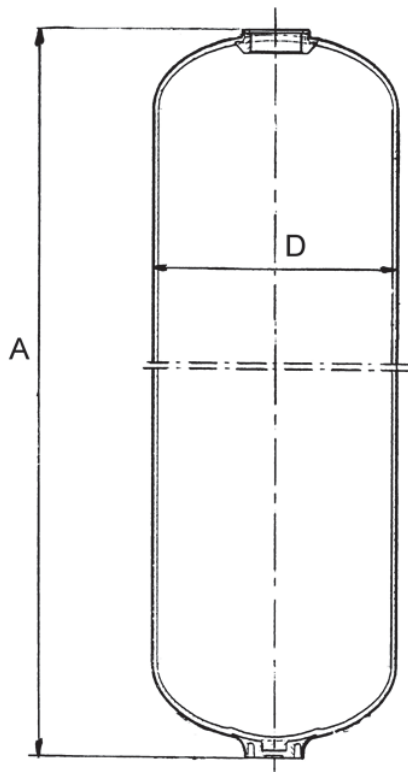
# EZ Tech USA RESIDENTIAL PRESSURE VESSELS WITH BASE



- Made in European Union (Belgium) and USA;
- composite pressure vessels PE liner reinforced with fiberglass and epoxy resin;
- for industrial and potable water treatment systems;
- European 97/23/EC Directive compliant for pressure equipment (PED);
- certification for contact with drinking water following EC directives and KTW recommendations;
- D.M. n.174 dated 06/04/2004 compliant about materials suitable for contact with water for human consumption;
- max operating pressure 10 bar;
- max operating temperature 50°C;
- top connection threaded 2 ½” – 8NPSM or 4” – 8UN;
- cycle test 250.000 times from 0,7 to 10 bar;
- burst test to 4 times max operating pressure;
- blue colour;
- warranty 5 years.

REF.	MODEL	VOLUME (liters)	DIAMETER (mm)	A (mm)	B (mm)	CONNECTION
B06013BB	6 x 13	4,6	159	342 ± 2	170	2 ½”
B06018BB	6 x 18	6,9	159	475 ± 2	170	2 ½”
B06035BB	6 x 35	14,4	159	907 ± 2	170	2 ½”
B07013BB	7 x 13	6,3	184	341 ± 2	195	2 ½”
B07017BB	7 x 17	8,8	184	446 ± 2	195	2 ½”
B07024BB	7 x 24	13,5	184	613 ± 2	195	2 ½”
B07030BB	7 x 30	16,8	184	778 ± 2	195	2 ½”
B07035BB	7 x 35	20,4	184	901 ± 2	195	2 ½”
B08013BB	8 x 13	8,2	208	347 ± 2	220	2 ½”
B08017BB	8 x 17	11,0	208	435 ± 2	220	2 ½”
B08024BB	8 x 24	16,6	208	612 ± 4	220	2 ½”
B08030BB	8 x 30	22,0	208	783 ± 2	220	2 ½”
B08035BB	8 x 35	25,7	208	902 ± 2	220	2 ½”
B08044BB	8 x 44	33,6	208	1124 ± 2	220	2 ½”
B09017BB	9 x 17	13,7	233	431 ± 4	240	2 ½”
B09024BB	9 x 24	20,4	233	612 ± 4	240	2 ½”
B09030BB	9 x 30	26,6	233	766 ± 5	240	2 ½”
B09035BB	9 x 35	31,3	233	903 ± 2	240	2 ½”
B09042BB	9 x 42	38,2	233	1074 ± 5	240	2 ½”
B09048BB	9 x 48	44,6	233	1228 ± 5	240	2 ½”
B10017BB	10 x 17	16,8	257	436 ± 4	269	2 ½”
B10019BB	10 x 19	19,1	257	502 ± 2	269	2 ½”
B10022BB	10 x 22	22,9	257	559 ± 4	269	2 ½”
B10024BB	10 x 24	25,1	257	605 ± 4	269	2 ½”
B10030BB	10 x 30	32,4	257	766 ± 4	269	2 ½”
B10035BB	10 x 35	38,9	257	903 ± 2	269	2 ½”
B10044BB	10 x 44	48	257	1122 ± 2	269	2 ½”
B10047BB	10 x 47	54	257	1188 ± 5	269	2 ½”
B10054BB	10 x 54	61	257	1385 ± 2	269	2 ½”
B10054GB	10 x 54	62	257	1382 ± 5	269	4”
B12048BB	12 x 48	76	304	1232 ± 3	315	2 ½”
B12052BB	12 x 52	84	304	1335 ± 3	315	2 ½”
B13044BB	13 x 44	85	334	1145 ± 6	330	2 ½”
B13054BB	13 x 54	103	334	1371 ± 3	330	2 ½”
B13054GB	13 x 54	103	334	1371 ± 3	330	4”

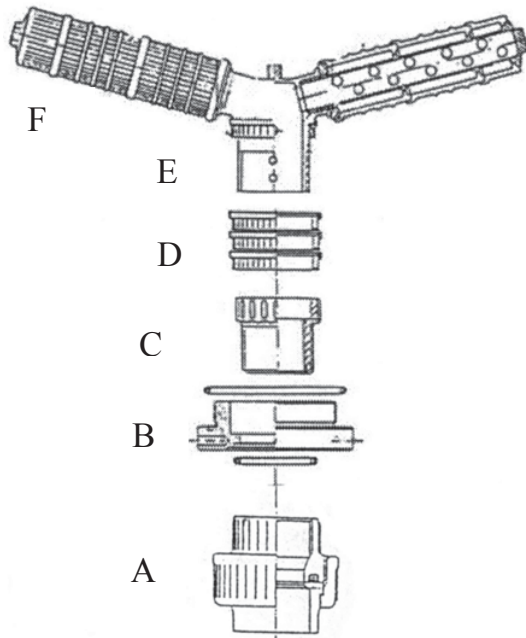
## EZ Tech USA RESIDENTIAL PRESSURE VESSELS WITHOUT BASE



- Made in European Union (Belgium) and USA;
- composite pressure vessels PE liner reinforced with fiberglass and epoxy resin;
- for industrial and potable water treatment systems;
- European 97/23/EC Directive compliant for pressure equipment (PED);
- certification for contact with drinking water following EC directives and KTW recommendations;
- D.M. n.174 dated 06/04/2004 compliant about materials suitable for contact with water for human consumption;
- max operating pressure 10 bar;
- max operating temperature 50°C;
- top connection threaded 2 ½” – 8NPSM or 4”– 8UN;
- cycle test 250.000 times from 0,7 to 10 bar;
- burst test to 4 times max operating pressure;
- blue colour;
- warranty 5 years.

REF.	MODEL	VOLUME (liters)	DIAMETER (mm)	A (mm)	CONNECTION (inch)
B06013AB	6 x 13	4,3	156	329 ± 3	2 ½”
B07013AB	7 x 13	5,8	182	329 ± 3	2 ½”
B07017AB	7 x 17	8,3	182	431 ± 3	2 ½”
B07019AB	7 x 19	9,6	182	483 ± 3	2 ½”
B07024AB	7 x 24	12,6	182	611 ± 3	2 ½”
B07030AB	7 x 30	16,2	182	771 ± 3	2 ½”
B07035AB	7 x 35	19,1	182	891 ± 3	2 ½”
B08013AB	8 x 13	7,7	206	329 ± 3	2 ½”
B08017AB	8 x 17	11,0	206	431 ± 3	2 ½”
B08024AB	8 x 24	16,6	206	611 ± 3	2 ½”
B08030AB	8 x 30	21,4	206	771 ± 3	2 ½”
B08035AB	8 x 35	24,8	206	891 ± 3	2 ½”
B09017AB	9 x 17	13,7	232	431 ± 3	2 ½”
B09024AB	9 x 24	20,4	232	611 ± 3	2 ½”
B09030AB	9 x 30	26,6	232	771 ± 3	2 ½”
B09035AB	9 x 35	31,6	232	891 ± 3	2 ½”
B10017AB	10 x 17	16,8	257	431 ± 3	2 ½”
B10019AB	10 x 19	19,2	257	483 ± 3	2 ½”
B10024AB	10 x 24	25,1	257	611 ± 3	2 ½”
B10030AB	10 x 30	32,4	257	771 ± 3	2 ½”
B10035AB	10 x 35	38,4	257	891 ± 3	2 ½”

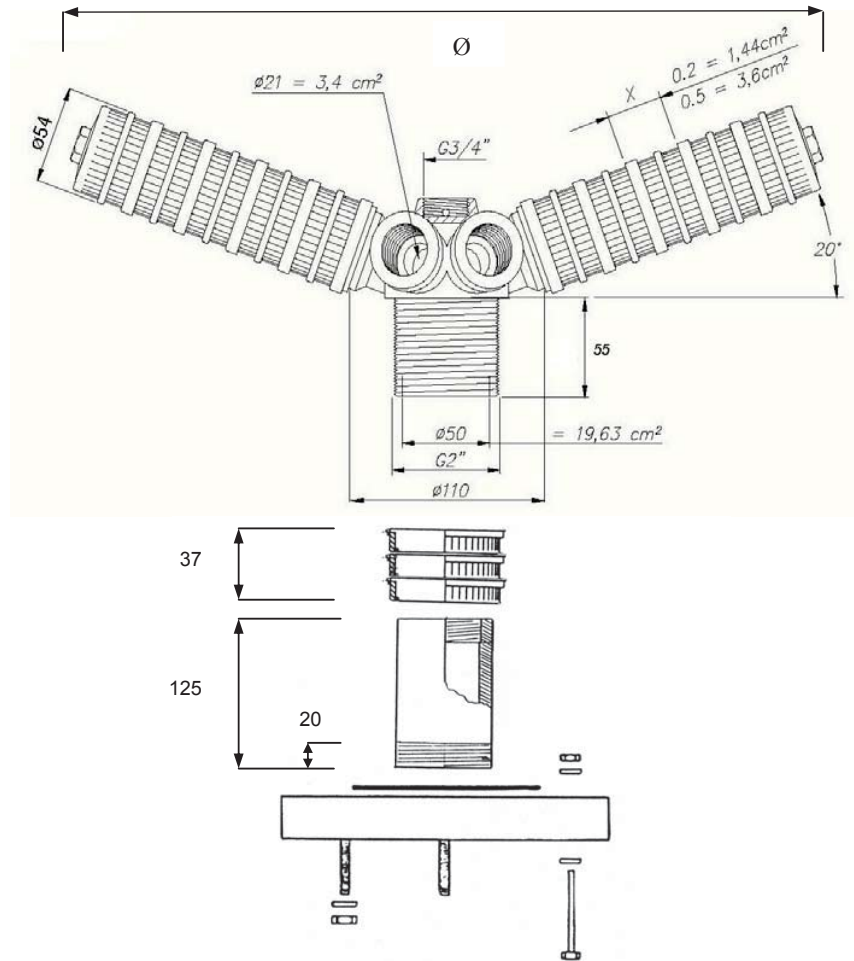
# LOWER LATERAL SYSTEMS



- lower lateral system for vessels with 4" – 8UN opening;
- outlet connection to glue D63;
- slots 0,2 or 0,5 mm;
- materials: adapter PVC, hub and laterals PP;
- including:
  - A. union D63 (REF. PV329);
  - B. adapter 4" with O-rings (REF. PV332);
  - C. reduction 2" M/F (REF. PV335);
  - D. n.3 spacers (REF. PV337);
  - E. hub (REF. PV336);
  - F. n.5 laterals diameter 54 mm, length = see table.

REF.	VESSEL	LATERALS LENGHT (mm)	SLOTS (mm)	FLOW (m <sup>3</sup> /h) Δp 0,2 bar
PV353	14" - 16" - 18"	113	0,2	16
PV354	21" - 24"	175	0,2	17
PV355	30"	237	0,2	18
PV356	36"	299	0,2	20
PV360	14" - 16" - 18"	113	0,5	16
PV361	21" - 24"	175	0,5	17
PV362	30"	237	0,5	18
PV363	36"	299	0,5	20

## LOWER LATERAL SYSTEMS WITH 6 LATERALS HUB FOR FLANGED PRESSURE VESSELS



- lower lateral system for 6" flanged pressure vessels;
- flange material PVC;
- complete with AISI 304 bolts and washer;
- hub at 6 laterals;
- laterals in PP, slots 0,2 or 0,5 mm, length as table below.

REF.	VESSEL	CONNECTION	LATERALS LENGTH (mm)	DIAMETER Ø (mm)	SLOTS (mm)	FLOW (m³/h) Δp 0,2 bar
PV520	18" - 21"	DN 65	144	374	0,2	16
PV521	24"	DN 65	175	432	0,2	17
PV522	30"	DN 65	237	549	0,2	18
PV523	36"	DN 65	299	665	0,2	20
PV524	18" - 21"	DN 65	144	374	0,5	16
PV525	24"	DN 65	175	432	0,5	17
PV526	30"	DN 65	237	549	0,5	18
PV527	36"	DN 65	299	665	0,5	20